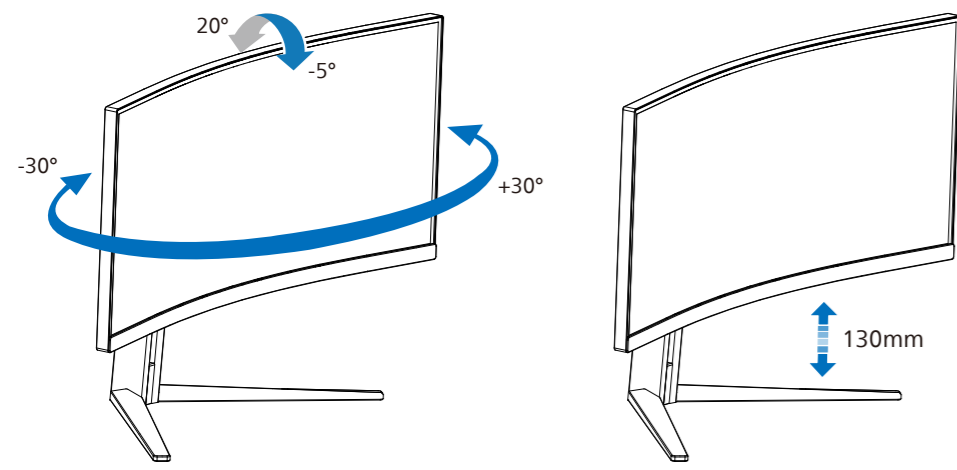
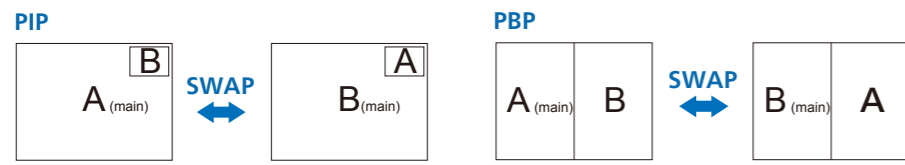


4



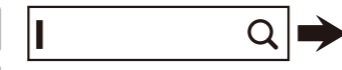
5



MultiView	SUB SOURCE POSSIBILITY (x1)				
	Inputs	HDMI 1	HDMI 2	DisplayPort 1	DisplayPort 2
MAIN SOURCE (x1)	HDMI 1	●	●	●	●
	HDMI 2	●	●	●	●
	DisplayPort 1	●	●	●	●
	DisplayPort 2	●	●	●	●



Register your product and get support at [www.philips.com/support](http://www.philips.com/support)



FAQ



Software SmartControl



User Manual

Version: 27M2C5500Q1T  
2022 © TOP Victory Investments Ltd. All rights reserved.

This product has been manufactured by and is sold under the responsibility of Top Victory Investments Ltd., and Top Victory Investments Ltd. is the warrantor in relation to this product. Philips and the Philips Shield Emblem are registered trademarks of Koninklijke Philips N.V. and are used under license.

Specifications are subject to change without notice.

**HDMI**

The Adopted Trademarks HDMI, HDMI High Definition Multimedia Interface, and the HDMI Logo are trademarks or registered trademarks of HDMI Licensing Administrator, Inc. in the United States and other countries.

[www.philips.com](http://www.philips.com)

Energy Labelling  
27M2C5500W



Printed in China



Q41G27M181369A

EVNIA

# Quick start

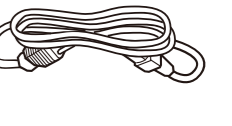
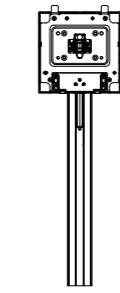
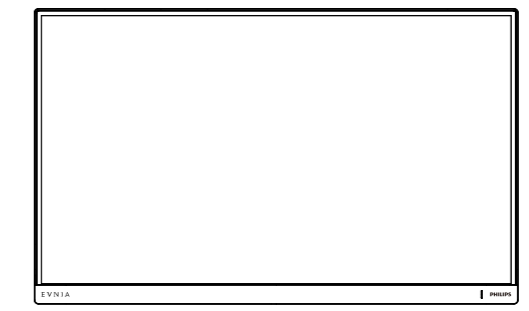


27M2C5500W

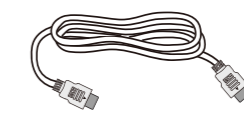
Register your product and get support at [www.philips.com/welcome](http://www.philips.com/welcome)

**PHILIPS**

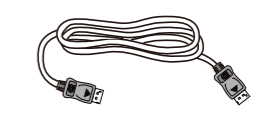
## Contents



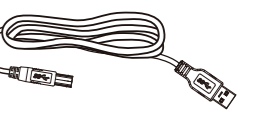
Power



\*HDMI



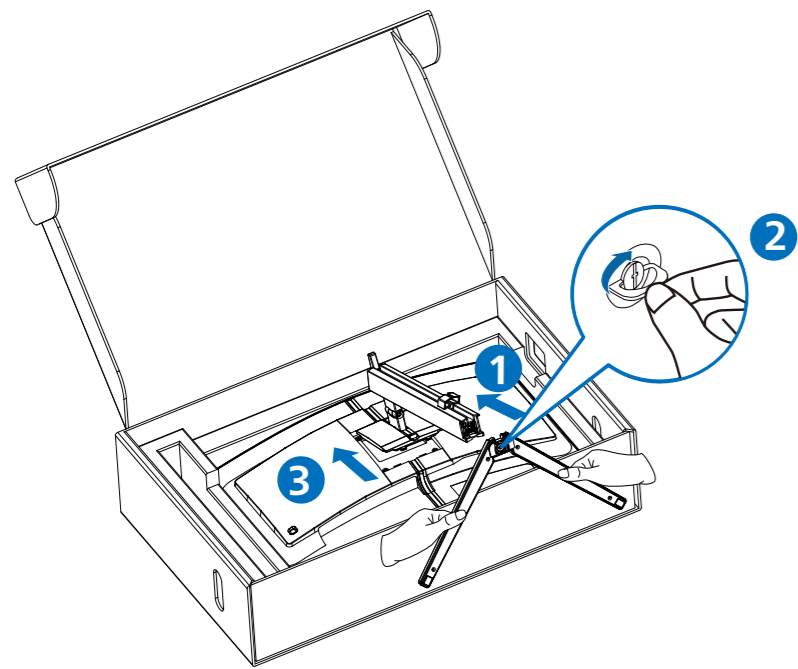
\*DP



\*USB A-B

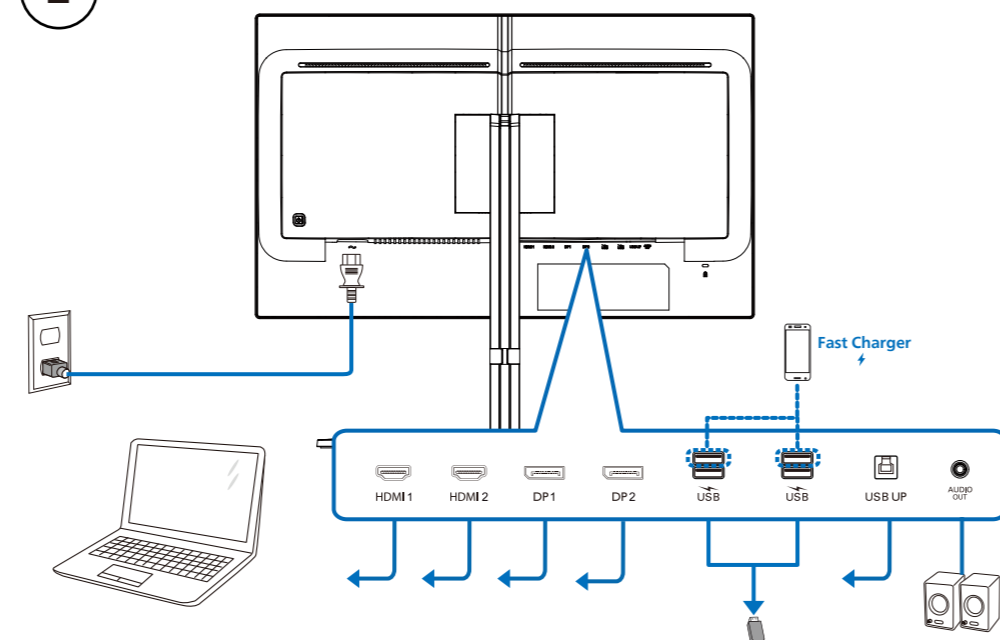
\*Different according to region  
Display design may differ from that illustrated

1

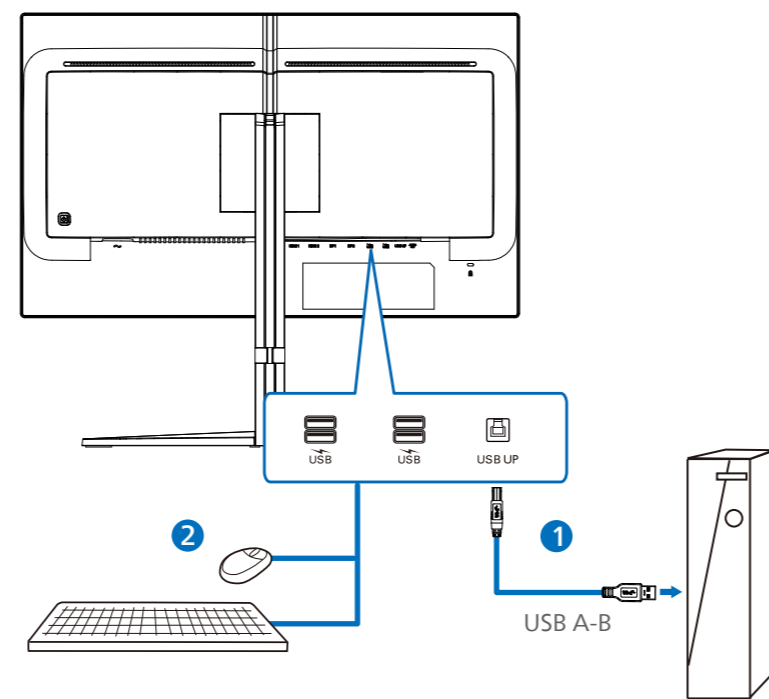


⚠ CAUTION: Place the monitor face down on a smooth surface. Pay attention not to scratch or damage the screen.

2



USB hub



3

