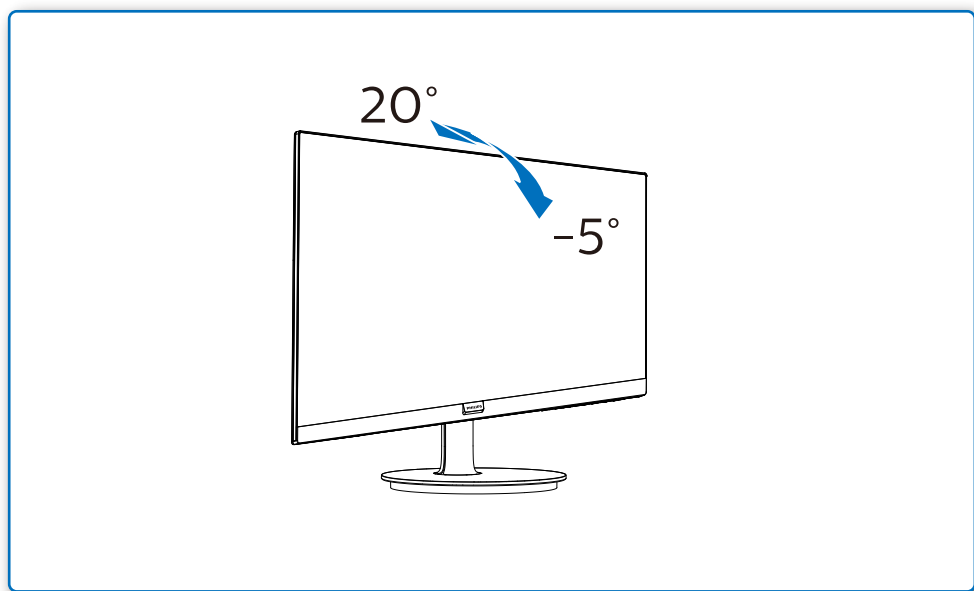


GRAPHIC DEVELOPMENT MMD	
Product name	
Project name	QSG
Project no.	
Finishing	Folded sheet
Scale	1:1
Size Spreads	594 (W) x 210 (H) mm
Size	148.5 (W) x 210 (H) mm
Operator(s)	
Date amended	2019
VERSION No.	1
APPROVAL	
QC Lithographer	
Product Manager	
Date Check	
ARTWORK DOCUMENT	
Paper	80gsm White, woodfree coated
Numbers of colours	2C+2C
Spotcolor	
Aftertreatment	
<input type="checkbox"/> Cropping	
<input type="checkbox"/> Coating	
<input type="checkbox"/> Varnishing	
<input type="checkbox"/> Embossing	
<input type="checkbox"/> Cutterguide	
<input type="checkbox"/> Die-cut	
<input type="checkbox"/> Binding	
<input type="checkbox"/> Glue	

4



- EN Need help?**  
Online help: [www.philips.com/support](http://www.philips.com/support)
- SC 需要帮助?**  
在线帮助: [www.philips.com/support](http://www.philips.com/support)
- FR Besoin d'Aide ?**  
Aide en ligne: [www.philips.com/support](http://www.philips.com/support)
- ES ¿Necesita ayuda?**  
Ayuda en línea: [www.philips.com/support](http://www.philips.com/support)
- DE Benötigen Sie Hilfe?**  
Online-Hilfe: [www.philips.com/support](http://www.philips.com/support)
- IT Avete bisogno di aiuto?**  
Guida in linea: [www.philips.com/support](http://www.philips.com/support)
- BR Precisa ajuda?**  
Ajuda online: [www.philips.com/support](http://www.philips.com/support)
- KO 도움이 필요하신가요?**  
온라인 도움말: [www.philips.com/support](http://www.philips.com/support)
- UK Потребуєте допомоги?**  
Підтримка он-лайн: [www.philips.com/support](http://www.philips.com/support)
- RU Нужна помощь?**  
Интерактивная справка: [www.philips.com/support](http://www.philips.com/support)
- TR Yardıma ihtiyacınız var mı?**  
Online yardım: [www.philips.com/support](http://www.philips.com/support)
- HI क्या सहायता की जरूरत है?**  
ऑनलाईन सहायता: [www.philips.com/support](http://www.philips.com/support)
- AR هل تريد المساعدة؟**  
[www.philips.com/support](http://www.philips.com/support) للمساعدة عبر الإنترنت
- JP ヘルプが必要ですか?**  
オンラインヘルプ: [www.philips.com/support](http://www.philips.com/support)

Version: M822xVQ1T  
2019 © TOP Victory Investment Ltd. All rights reserved.

This product has been manufactured by and is sold under the responsibility of Top Victory Investments Ltd., and Top Victory Investments Ltd. is the warrantor in relation to this product. Philips and the Philips Shield Emblem are registered trademarks of Koninklijke Philips N.V. and are used under license.

Specifications are subject to change without notice.

[www.philips.com](http://www.philips.com)

**HDMI**

HDMI trademark and related patents on technologies belong to their respective owners.



PHILIPS

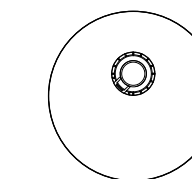
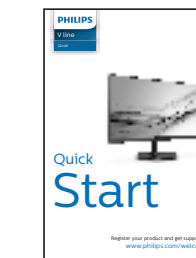
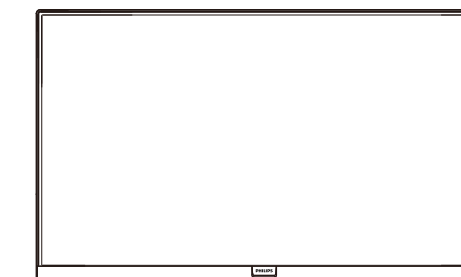
V line

220V8/221V8



Quick Start

Register your product and get support at [www.philips.com/welcome](http://www.philips.com/welcome)



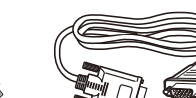
\*CD



Power



\* HDMI



\* VGA



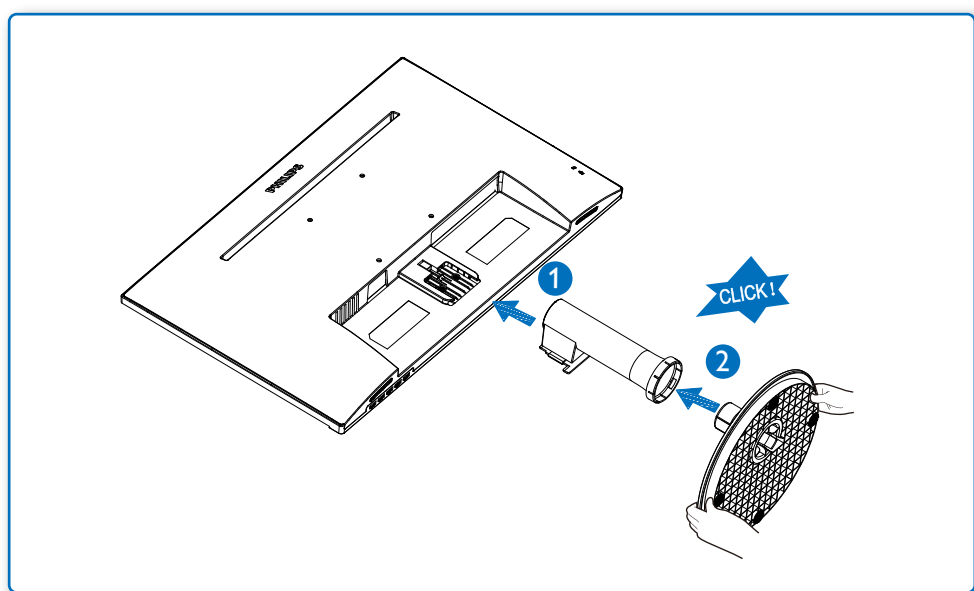
\* DVI



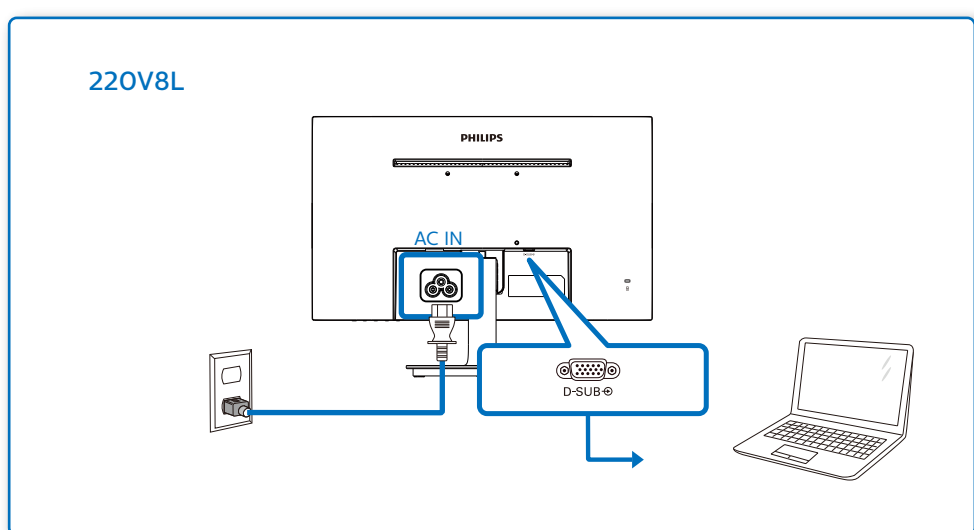
\* Audio cable

\*Different according to region  
Display design may differ from that illustrated

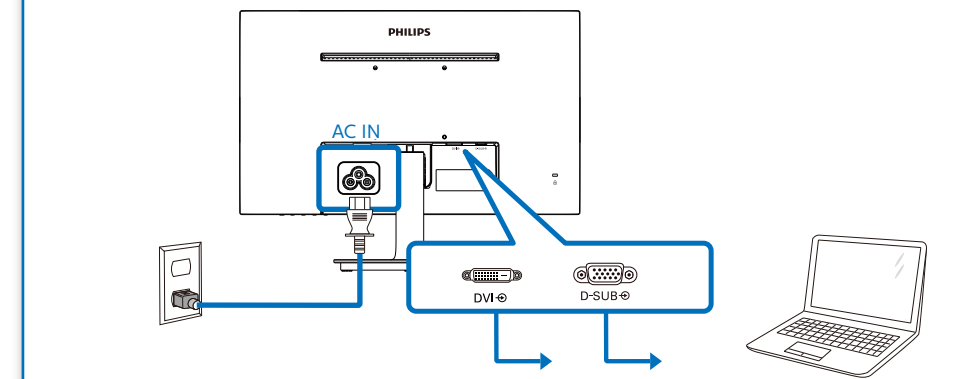
1



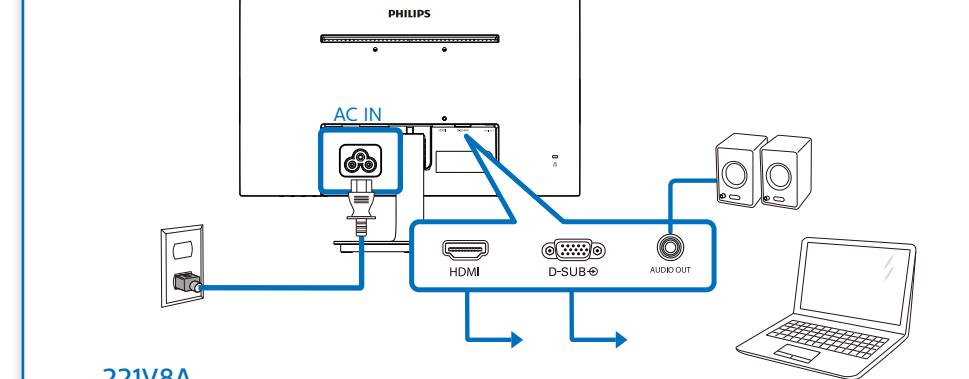
2



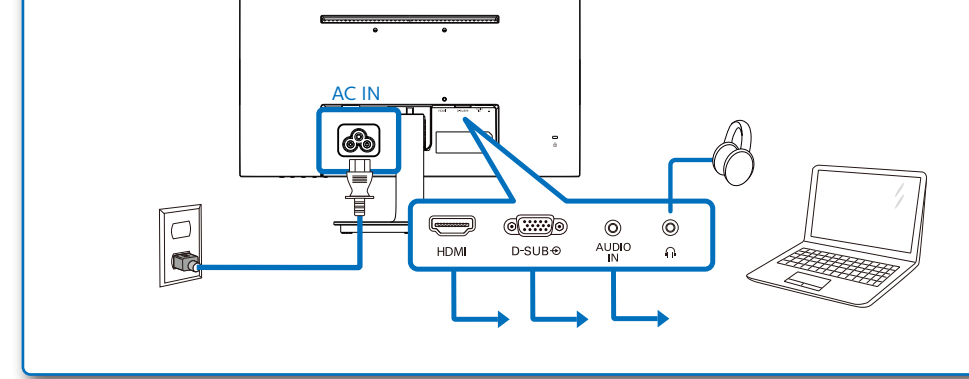
220V8



221V8



221V8A



3

