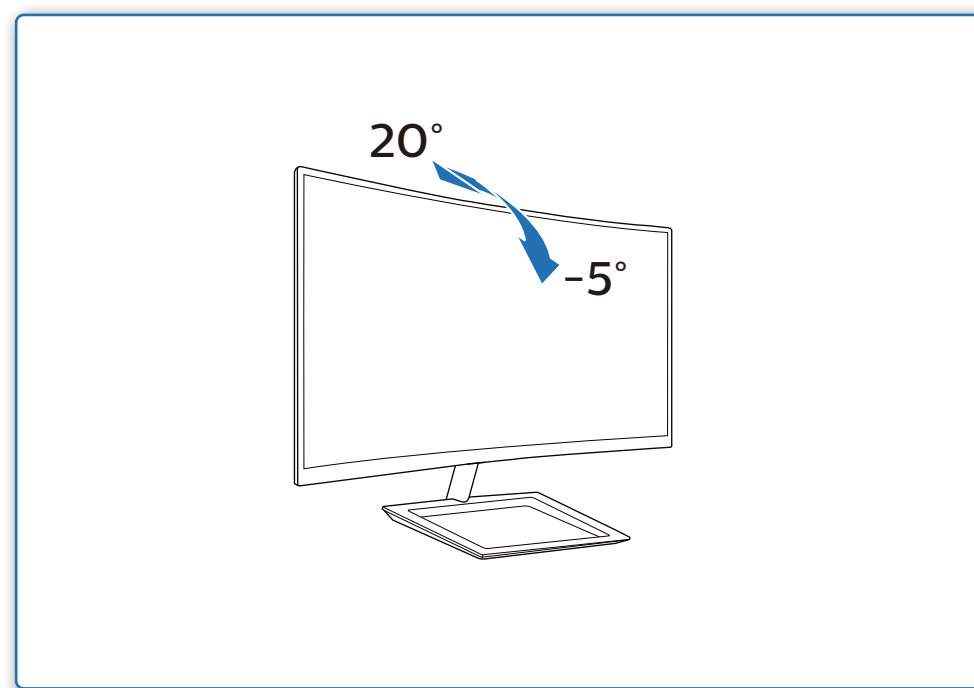


GRAPHIC DEVELOPMENT MMD	
Product name	
Project name	
Project no.	
Finishing	Folded sheet
Scale	1:1
Size Spreads	594 (W) x 210 (H) mm
Size	148.5 (W) x 210 (H) mm
Operator(s)	
Date amended	
VERSION No.	13
APPROVAL	
QC Lithographer	
Product Manager	
Date Check	
ARTWORK DOCUMENT	
Paper	80gsm White, woodfree coated
Numbers of colours	2C2C
Pantone 300c	
Spotcolor	
Aftertreatment	
<input type="checkbox"/> Cropping	
<input type="checkbox"/> Coating	
<input type="checkbox"/> Varnishing	
<input type="checkbox"/> Embossing	
<input type="checkbox"/> Cuttingguide	
<input type="checkbox"/> Die-cut	
<input type="checkbox"/> Binding	
<input type="checkbox"/> Glue	

4



- EN** Need help?
Online help: www.philips.com/support
- SC** 需要帮助?
在线帮助: www.philips.com/support
- FR** Besoin d'Aide ?
Aide en ligne: www.philips.com/support
- ES** ¿Necesita ayuda?
Ayuda en línea: www.philips.com/support
- DE** Benötigen Sie Hilfe?
Online-Hilfe: www.philips.com/support
- IT** Avete bisogno di aiuto?
Guida in linea: www.philips.com/support
- BR** Precisa ajuda?
Ajuda online: www.philips.com/support
- KO** 도움이 필요하신가요?
온라인 도움말: www.philips.com/support
- UK** Потребуйте допомоги?
Підтримка он-лайн: www.philips.com/support
- RU** Нужна помощь?
Интерактивная справка: www.philips.com/support
- TR** Yardıma ihtiyacınız var mı?
Online yardım: www.philips.com/support
- HI** क्या सहायता की जरूरत है?
ऑनलाइन सहायता: www.philips.com/support
- AR** هل تريد المساعدة?
www.philips.com/support للمساعدة عبر الإنترنت.
- JP** ヘルプが必要ですか?
オンラインヘルプ: www.philips.com/support

Version: M1272ECAQ1WWT
2019 © TOP Victory Investment Ltd. All rights reserved.

This product has been manufactured by and is sold under the responsibility of Top Victory Investments Ltd., and Top Victory Investments Ltd. is the warrantor in relation to this product. Philips and the Philips Shield Emblem are registered trademarks of Koninklijke Philips N.V. and are used under license.

Specifications are subject to change without notice.

www.philips.com

HDMI
HDMI trademark and related patents on technologies belong to their respective owners.



Printed in China



Q41G27M181351A

PHILIPS

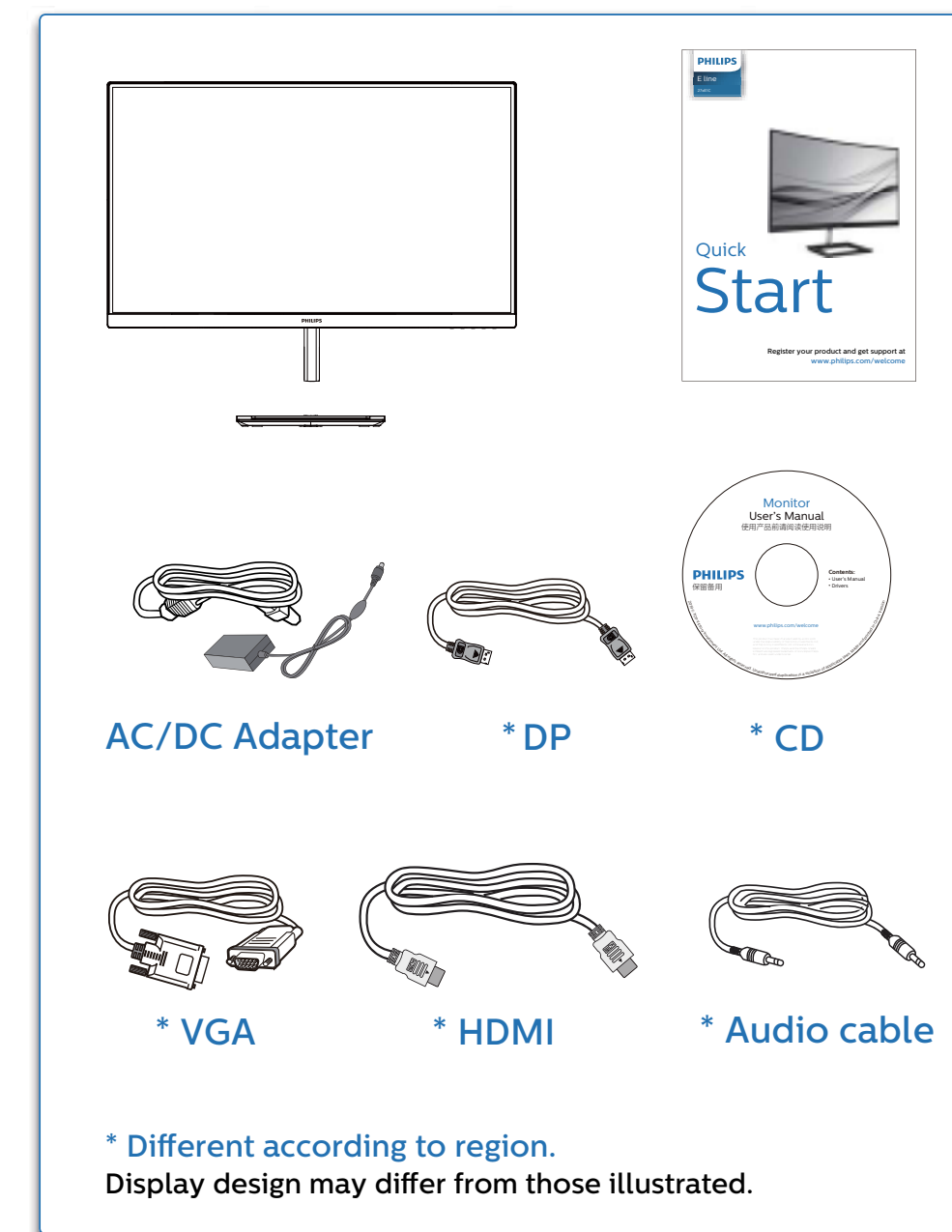
E line

27xE1C



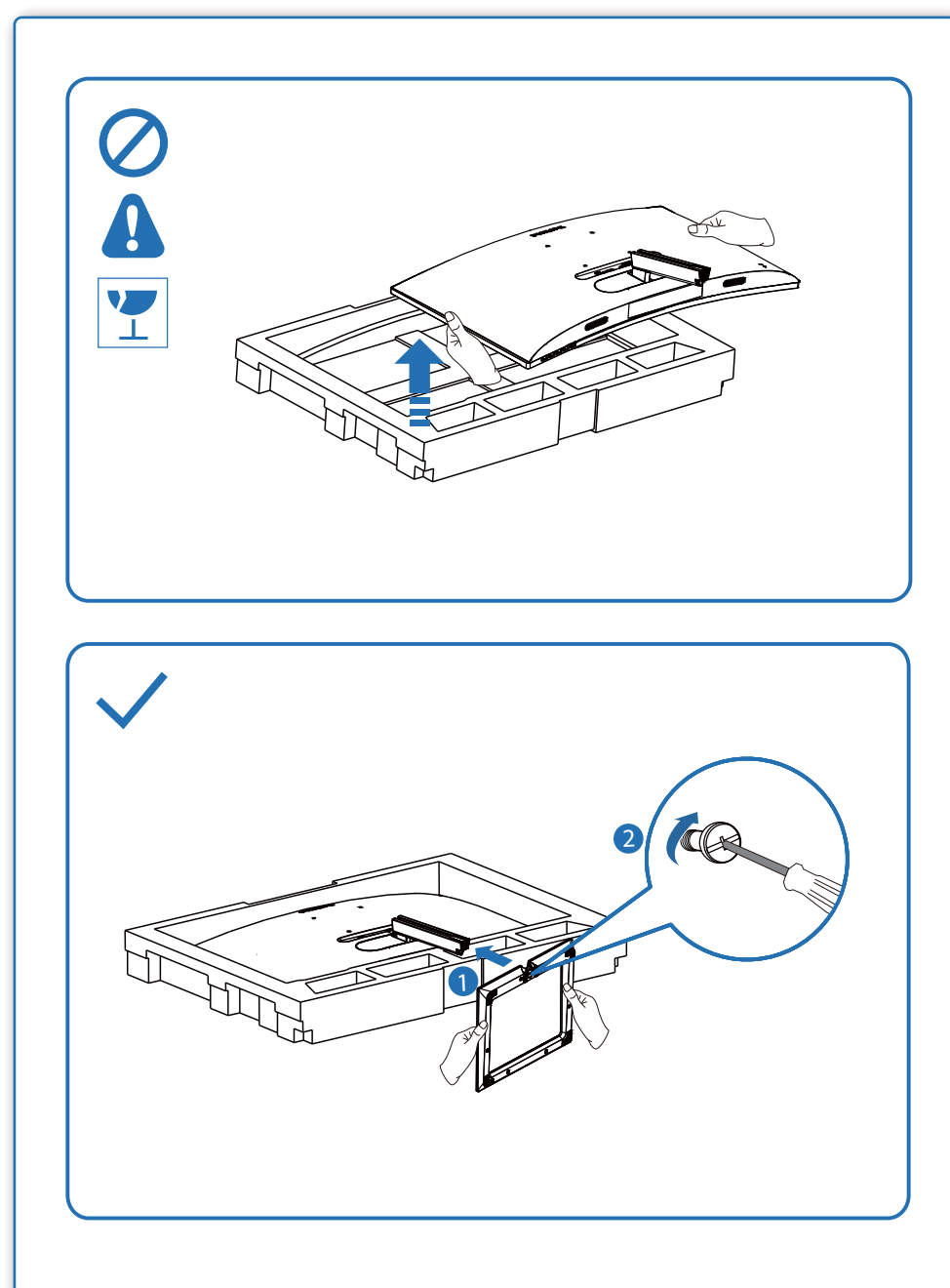
Quick Start

Register your product and get support at
www.philips.com/welcome

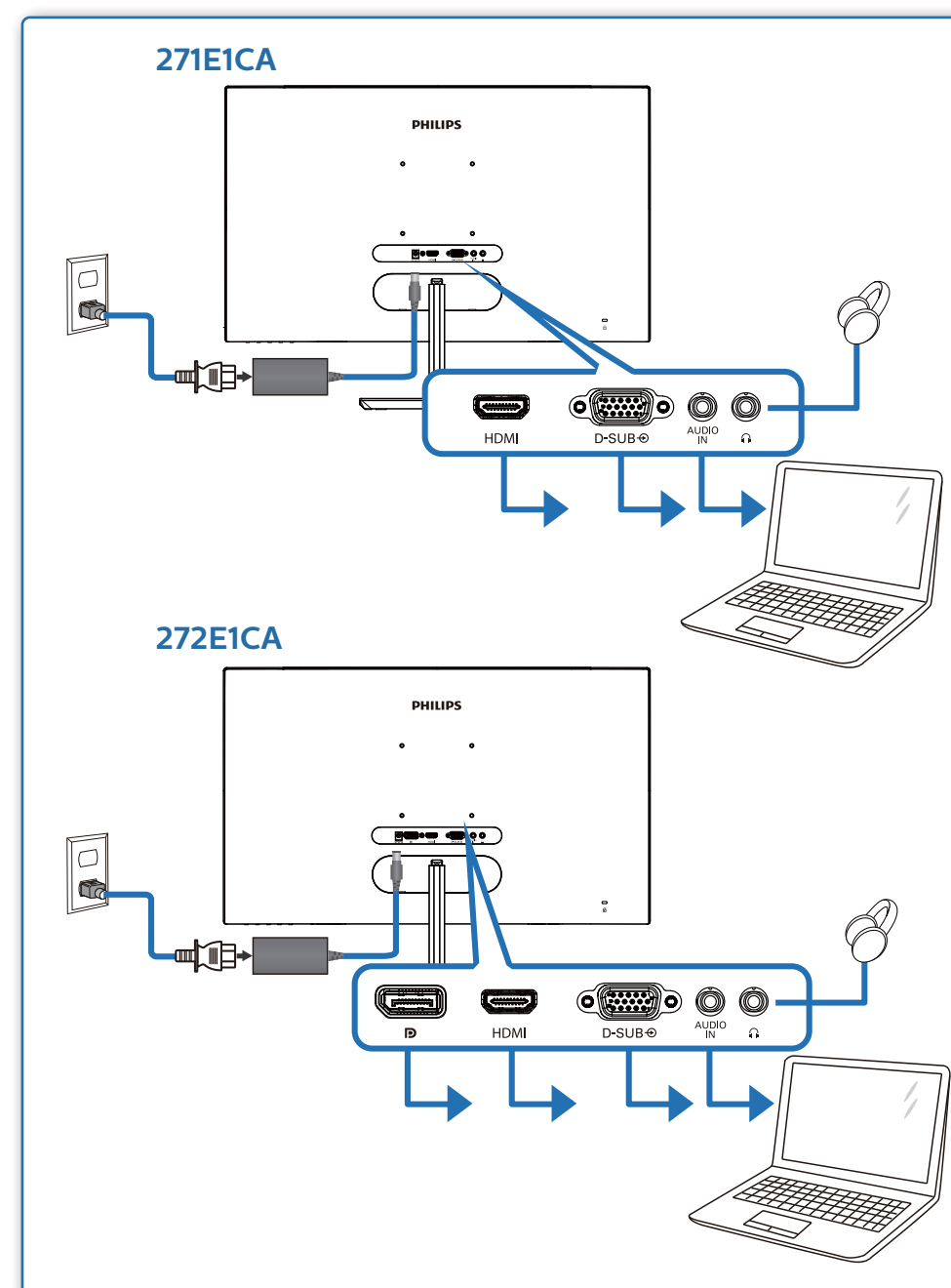


* Different according to region.
Display design may differ from those illustrated.

1



2



3

